

User Manual

DOOR PHONE TP-1L



- Thank you for purchasing COMMAX products.
- Please carefully read this User's Guide (in particular, precautions for safety) before using a product and follow instructions to use a product exactly.
- The company is not responsible for any safety accidents caused by abnormal operation of the product.





1. Introduction

Your unit is designed so it can be flush mounted on the or used. When flush mounted on the wall, the stand permits you to the unit for an gular of unit view. The model number is located on the bottom and record the serial number in the space provided below(available). Refer to these numbers whenever you call upon your COMMAX dealer regarding this product.

Model No.
Serial No.

To prevent fire or shock hazard, do not expose the unit to rain or moisture.

 This symbol is intended to alert the use to the presence of uninsulated **"dangerous Voltage"** within the product' s enclose that may be of sufficient magnitude to constitute a risk of electric shock to persons.

 This symbol is intended to alert the use to the presence of important operating and maintenance(servicing) instructions in the literature accompanying the appliance



caution

Risk of electric shock
do not open

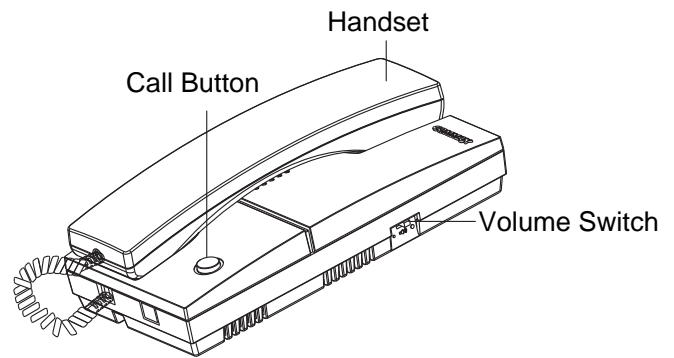


CAUTION : To reduce the risk of electric shock, do not remove cover(or back) no user-serviceable part inside refer servicing to qualified service personnel



2. Overview

Controls and functions



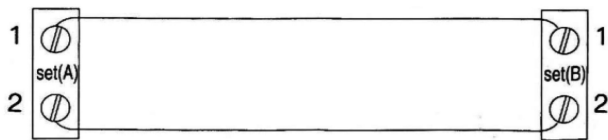
3. Operation

1. Depress the battery lid to open and install 4 standard AA type 1.5V batteries by connecting the snap-on lead to the battery terminals.
2. When you want to talk with the other party, raise the handset and press the call button this sends a call tone to the other station.
3. When the bell is ringing, raise the handset and speak with the other party like telephone.
4. On completion of the conversation, replace the handset.

NOTE :

- 1) Can control the sound of bell rings by use volume switch. As example, you may setting on the volume switch at "L" position, volume is low but setting at "H" position, volume is higher
- 2) If you don't want to use dry battery, you can use 6V DC adaptor (over than 200mA) as an alternative.
- 3) On completion of the conversation, power is automatically cut off when the handset is replaced in the cradle; always ensure that the handset is properly located to avoid excessive battery drain.

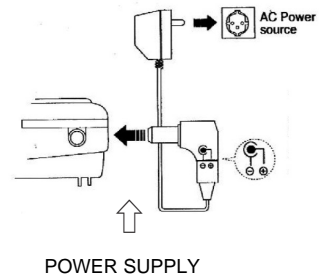
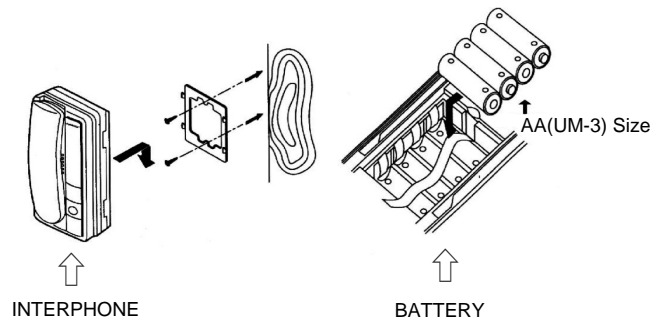
4. Connection



Connect terminal "1" of set(A) with terminal "1" of set(B), and terminal "2" of set(A) with terminal "2" of set(B)
If their positions are reversed, it will be not operated

5. Wiring

The unit may also be used with 6VDC power supply. It is required to use Voltage Regulation DC Power Supply for safety operation.





6. Specifications

Operating voltage	6V \equiv
Output	0.2W at 8 Ω
Idling current	10 mA
Maximum current	40 mA
Effective distance	2Km(0.65mm) /1 .25miles(22 AWG)
Dimensions	98(W) x 208(D) x 65(H)mm

COMMAX