

GV-UBL1511 1.3MP H.264 3x zoom Super Low Lux WDR IR Ultra Bullet IP Camera



- 1.3 megapixel progressive scan Super Low Lux CMOS
- Min. illumination at 0.01 lux
- Dual streams from H.264 and MJPEG
- Up to 30 fps at 1280 x 1024
- Intelligent IR
- Day and Night function (with removable IR-cut filter)
- Motorized varifocal lens for remote focus/zoom adjustment
- Wide Dynamic Range (WDR)
- 3D DNR (Digital Noise Reduction)
- Defog
- Vandal resistance (IK10 for metal casing)
- Ingress protection (IP67)
- One alarm input and sensor output
- Built-in micro SD card slot (SD/SDHC) for local storage
- Motion detection
- Tampering alarm
- Visual automation
- Text overlay
- Privacy mask
- IP address filtering
- DC 5V / PoE
- Megapixel lens
- Supports iPhone, iPad, Android & 3GPP
- 31 languages on Web interface
- ONVIF (Profile S) conformant

* No memory card slot & local storage function for Argentina

Introduction

The Ultra Bullet Camera is a light-weighted camera designed for outdoor environments. It adheres to the IP67 standard and has full protection against dust and jets of water. Equipped with a super low lux CMOS sensor, the camera is capable of providing a color live view in near darkness. The camera takes the advantage of its motorized focus/zoom in that the user can remotely adjust the focus and zoom through the Web interface.

Active Tampering Alarm

Tampered



Focus Change

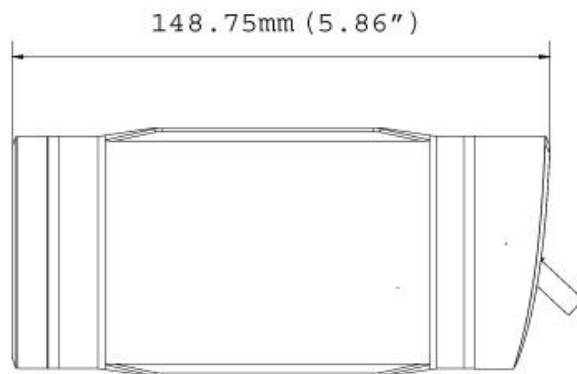
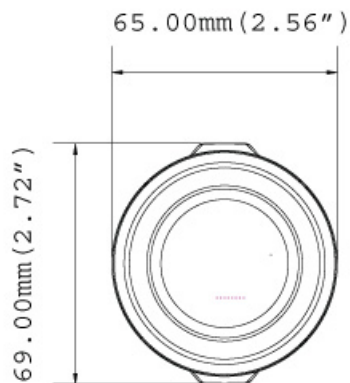


Camera Shift



Overview

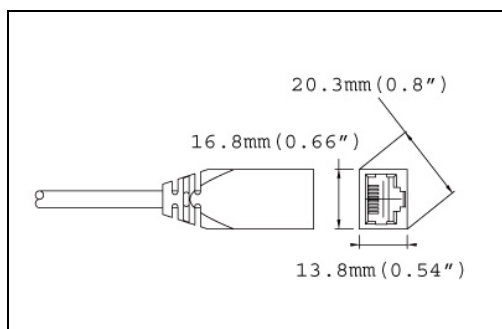
• **Dimensions**



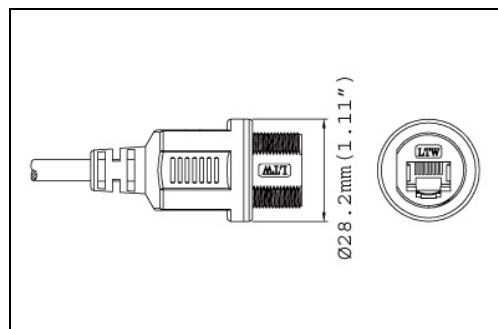
• **Panel**



• **LAN Connector**



Option 1



Option 2

Specifications

Camera		
Image Sensor	1/3" progressive scan super low lux CMOS "	
Picture Elements	1280 (H) x 1024 (V)	
Minimum Illumination	Color	0.01 Lux
	B/W	0.01 Lux
	IR ON	0 Lux
Shutter Speed	Automatic, Manual (1/5 ~ 1/8000 sec.)	
White Balance	Automatic, Manual (2800K ~ 8500K)	
Gain Control	Automatic	
S/N Ratio	55 dB	
WDR	Yes	
Lens		
Megapixel	Yes	
Focal Length	3 ~ 9 mm	
Day/Night	Yes (with removable IR-cut filter)	
Lens Type	Motorized varifocal lens	
Maximum Aperture	F/1.2	
Mount	Ø 14 mm	
Image Format	1/2.7"	
Operation	Focus	Auto Focus
	Zoom	3X Optical Zoom
	Iris	DC Drive
IR LED Quantity	4 IR LEDs	
Max. IR Distance	10 m (32.81 ft.)	
Operation		
Video Compression	H.264, MJPEG	
Video Stream	Dual streams from H.264 and MJPEG	
Frame Rate	30 fps at 1280 x 1024 *The frame rate and the performance may vary depending on the number of connections and data bitrates (different scenes).	
Image Setting	Brightness, Contrast, Sharpness, Gamma, White Balance, Flicker-less, Image Orientation, Backlight Compensation, Zoom, Focus Change, Shutter Speed, D/N Sensitivity, WDR, Defog, Super Low Lux	
Two-way Audio	No	
Video Resolution		
Main Stream	4 : 3	1280 x 960, 640 x 480, 320 x 240
	16 : 9	1280 x 720, 640 x 360, 448 x 252
	5 : 4	1280 x 1024, 640 x 512, 320 x 256
Sub Stream	4 : 3	640 x 480, 320 x 240
	16 : 9	640 x 360, 448 x 252
	5 : 4	640 x 512, 320 x 256
Network		
Interface	10/100M Ethernet	
Protocol	DHCP, DynDNS, FTP, HTTP, HTTPS, NTP, ONVIF (Profile S), PSIA, QoS (DSCP), RTSP, SNMP, SMTP, TCP, UDP, UPnP, 3GPP/ISMA	
Mechanical		
Temperature Detector	Yes	
Connectors	Power	2-pin terminal block, PoE
	Ethernet	Ethernet (10/100 Base-T), RJ-45 cable Two types of models for selection: Waterproof or Non-Waterproof with smaller size
	Digital I/O	I/O Wire
	Local Storage	Micro SD card slot (SD/SDHC, SD version 2.0 only, Class 10) * SDXC and UHS-I card types are not supported.
General		
Environment Temperature	Start-up	-10°C ~ 45°C (14°F ~ 113°F)
	Operation	-10°C ~ 45°C (14°F ~ 113°F)
Humidity	10% to 90% (no condensation)	
Power Source	5V DC / PoE	
Max. Power Consumption	9.65 W	
Dimensions	148.75 x 65 x 69 mm (5.86" x 2.56" x 2.72")	

Weight	850 g (1.9 lb)
Ingress Protection	IP67
Vandal Resistance	IK10 for metal casing
Regulatory	CE, FCC, RCM, RoHS compliant
Power over Ethernet	
PoE Standard	IEEE 802.3af Power over Ethernet / PD
PoE Power Supply Type	End-Span
PoE Power Output	Per Port 48V DC, 350mA. Max. 15.4 watts
Web Interface	
Installation Management	Web-based configuration
Maintenance	Firmware upgrade through Web Browser or Utility
Access from Web Browser	Camera Live View, Video Recording, Change Video Quality, Bandwidth Control, Image Snapshot, Digital I/O Control, Picture in Picture, Picture and Picture, Privacy Mask, Visual Automation, Tampering Alarm, Text Overlay
Language	Arabic / Bulgarian / Czech / Danish / Dutch / English / Finnish / French / German / Greek / Hebrew / Hungarian / Indonesian / Italian / Japanese / Lithuanian / Norwegian / Persian / Polish / Portuguese / Romanian / Russian / Serbian / Simplified Chinese / Slovakian / Slovenian / Spanish / Swedish / Thai / Traditional Chinese / Turkish
Application	
Network Storage	GV-NVR, GV-System, GV-Backup Center, GV-Recording Server
Smart Device Access	GV-Eye for Android smartphone, tablet, iPhone and iPod Touch GV-Eye HD for iPad
Live Viewing	IE, mobile phone
CMS Server support	GV-Control Center, GV-Center V2, GV-VSM



Note:

- The signal range and data throughput may vary depending on the network conditions and environmental factors.
- Specifications are subject to change without notice.

Packing List

- | | |
|----------------------------------------------------------------------------------------------------------------------------|--------------------------------------------------------|
| 1. Ultra Bullet Camera (with Waterproof or Non-Waterproof LAN connector) | 8. Cable connector (for waterproof LAN connector only) |
| 2. Camera Stand x 1 | 9. Silica Gel Bag x 2 |
| 3. Black Rubber x 1 | 10. 2-Pin Terminal Block |
| 4. Self Tapping Screw x 3 | 11. Data cable |
| 5. Plastic Screw Anchor x 3 | 12. GV-IPCAM H.264 Quick Start Guide |
| 6. Torx Wrench x 1 | 13. GV-IPCAM H.264 Software CD |
| 7. Sun-Shield Cover Kit (1 Sun-Shield Cover, 2 Philips Head Screws, 2 Plastic Screw Spacers and 2 Hexagon Screws included) | 14. GV-NVR Quick Start Guide |
| | 15. GV-NVR Software DVD |

Accessories

Name	Details
 <p>GV-PA191 PoE Adapter</p>	<p>Weight: 130 g (0.29 lb) Dimensions (H x W x D): 43 x 69 x 40 mm (1.69" x 2.72" x 1.57")</p>
 <p>GV-Relay V2</p>	<p>The GV-Relay V2 is designed to expand the voltage load of GV IP devices. It provides 4 relay outputs, and each can be set as normally open (NO) or normally closed (NC) independently as per your requirement.</p>
Power Adapter	Power adapters are available in 4 regions: U.S.A., Australia, U.K and Europe.
GV-POE Switch	The GV-POE Switch is designed to provide power along with network connection for IP devices. The GV-POE Switch is available in various models with different numbers and types of ports.