

GV-BX8700 8MP H.265 Super Low Lux WDR Pro D/N Box IP Camera



- 1/2" progressive scan super low lux CMOS
- Min. illumination at 0.03 lux
- Triple streams from H.265, H.264 and MJPEG
- Up to 30 fps at 3840 x 2160
- Megapixel varifocal lens
- P-Iris for auto iris adjustment
- Day and Night function (with removable IR-cut filter)
- Wide Dynamic Range Pro (WDR Pro)
- DC 12 V / PoE (IEEE 802.3af)
- Two-way audio
- Built-in / external microphone
- Built-in micro SD card slot (SD/SDHC/SDXC/UHS-I) for local storage
- Mini USB slot for WiFi adapter or USB hard drive
- One sensor input and alarm output
- TV-out support
- 3D noise reduction
- Smart streaming
- Defog
- Privacy mask
- IP address filtering
- Recording assigned by GV-Edge Recording Manager ([Windows](#), [Mac](#) version)
- Supports iPhone, iPad, Android & 3GPP
- 31 languages on Web interface
- ONVIF (Profile S, T) conformant

* No Memory card slot & local storage function for Argentina.

* Smart streaming requires GV-DVR / NVR V8.7.0, GV-VMS V16.10.3 or later software versions.

Introduction

GV-BX8700 supports H.265 video codec to achieve better compression ratio while maintaining high picture quality at reduced network bandwidths. The camera is equipped with a super low lux CMOS image sensor which allows the camera to provide a color live view in near darkness. It also features a mini USB port for wireless connection through a GV-WiFi Adapter (optional) or external storage using a USB hard drive.

Active Tampering Alarm

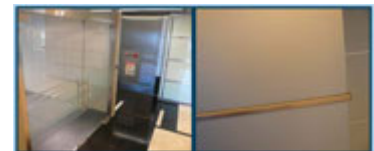
Tampered



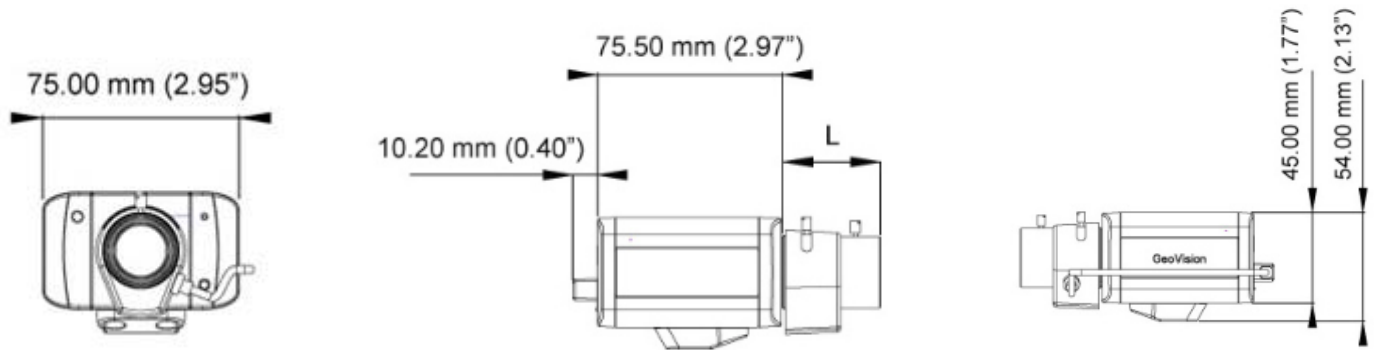
Focus Change



Camera Shift



Dimensions



Specifications

Camera		
Image Sensor	1/2" progressive scan super low lux CMOS	
Picture Elements	3840 (H) x 2160 (V)	
Minimum Illumination	Color	0.04 Lux
	B/W	0.03 Lux
	IR ON	0 Lux
Shutter Speed	Automatic, Manual (1/5 ~ 1/16000 s)	
White Balance	Automatic, Manual (2800 ~ 8500 K)	
Gain Control	Automatic	
S/N Ratio	52 dB	
WDR Pro	Yes	
Dynamic Range	120 dB	
Lens		
Megapixel	Yes	
Day/Night	Yes (with removable IR-cut filter)	
Lens Type	Varifocal	
Focal Length	3.6 ~ 10 mm	
Maximum Aperture	F/1.5	
Mount	CS Mount	
Image Format	1/1.8"	
Horizontal FOV	108° ~ 48°	
Operation	Focus	Manual (w/lock)
	Zoom	Manual (w/lock)
	Iris	P-Iris
Operation		
Video Compression	H.265, H.264, MJPEG	
Video Streaming	Stream 1 from H.265 or H.264 Stream 2 from H.265, H.264 or MJPEG Stream 3 from H.265, H.264 or MJPEG	
Frame Rate	50Hz: 25 fps at 3840 x 2160 60Hz: 30 fps at 3840 x 2160 (default) * The frame rate and performance may vary depending on the number of connections and data bitrates (different scenes).	
Image Setting	Brightness, Contrast, Saturation, Sharpness, Gamma, White Balance, Flicker-less, Image Orientation (Flip, Mirror, 0°, 90°, 180°, 270°-including Corridor format), Shutter Speed, Backlight Compensation, D/N Sensitivity, WDR, Defog, Low Lux Enhancement, Denoise, Metering	
Audio Compression	G.711	
Audio Support	Two-way audio (external speaker required)	
Sensor Input	1 input (dry contact)	
Alarm Output	1 digital output (200 mA 5 V DC)	
Video Resolution		
Main Stream	4:3	2592 x 1944, 2048 x 1536, 1600 x 1200, 1280 x 960
	16:9	3840 x 2160 (Default), 2592 x 1520, 1920 x 1080, 1280 x 720
	5:4	1280 x 1024

Sub Stream	4:3	1024 x 768, 640 x 480, 320 x 240
	16:9	1280 x 720, 640 x 360 (Default), 448 x 256
	5:4	1280 x 1024, 640 x 512, 320 x 256
Third Stream (Closed by Default)	4:3	640 x 480, 320 x 240
	16:9	640 x 360 (Default), 448 x 256
	5:4	640 x 512, 320 x 256
Network		
Interface	10/100 Ethernet	
Protocol	DHCP, DynDNS, FTP, HTTP, HTTPS, ICMP, IPv4, IPv6, Multicast, NTP, ONVIF (Profile S, T), QoS (DSCP), RTSP, SNMP, SMTP, TCP, UDP, UPnP, 3GPP/ISMA	
Wireless LAN	IEEE 802.11 b/g/n	
Antenna Type	External	
Security	WEP, WPA-PSK(TKIP), WPA-PSK(AES), WPA2-PSK(TKIP), WPA2-PSK(AES)	
Security Feature	<ul style="list-style-type: none"> - No default ID and Password - 802.1x authentication - HTTPS with SSL certificate stored within the camera - 256-bit AES encryption (requires working with GV-VMS V18.1 or later) 	
Mechanical		
Temperature Detector	Yes	
Connectors	Power	2-pin terminal block (DC 12 V, 1.25 A), PoE
	Ethernet	Ethernet (10/100 Base-T), RJ-45 cable
	Audio	1 In (built-in or external microphone) 1 Out (stereo phone jack, 3.5 mm / 0.14")
	Digital I/O	3-pin terminal block, pitch 2.5 mm (0.1")
	Auto Iris	Yes (with varifocal lens)
	Local Storage	Micro SD card slot (SD/SDHC/SDXC/UHS-I, Class 10) *UHS-II card type is not supported.
	TV-Out	BNC connector (640 x 480 resolution)
	Mini USB	GV-WiFi Adapter or USB hard drive
LED Indicator	2 LEDs: Power, Status	
General		
Environment Temperature	Start-up	0 °C ~ 50 °C (32 °F ~ 122 °F)
	Operation	
Humidity	10% ~ 90% (no condensation)	
Power Source	12 V DC / PoE (IEEE 802.3af)	
Max. Power Consumption	6 W	
Dimensions (without lens)	75.5 x 75 x 54 mm (2.97" x 2.95" x 2.13")	
Weight	320 g (0.7 lb)	
Regulatory	CE, FCC, LVD, RoHS compliant	
Power over Ethernet		
PoE Standard	PoE (IEEE 802.3af Power over Ethernet / PD)	
PoE Power Supply Type	End-Span, Mid-Span	
PoE Power Output	Per Port 48 V DC, 320 mA, Max. 15.4 W	
Web Interface		
Installation Management	Web-based configuration	
Maintenance	Firmware upgrade through Web browser or GV-IP Device Utility	
Access from Web Browser	Camera Live View, Video Recording, Change Video Quality, Bandwidth Control, Image Snapshot, Audio, Picture in Picture, Picture and Picture, Privacy Mask, Text Overlay, Digital PTZ	
Language	Arabic / Bulgarian / Czech / Danish / Dutch / English / Finnish / French / German / Greek / Hebrew / Hungarian / Indonesian / Italian / Japanese / Lithuanian / Norwegian / Persian / Polish / Portuguese / Romanian / Russian / Serbian / Simplified Chinese / Slovakian / Slovenian / Spanish / Swedish / Thai / Traditional Chinese / Turkish	
Applications		
Software Supported	GV-DVR / NVR (V8.8.0), GV-VMS (V17.2.1), GV-Edge Recording Manager Win Version (V1.4.0), GV-Control Center (V3.6.0), GV-Recording Server (V1.4.2), GV-Redundant / Failover Server (V1.1.0.0)	
Smart Device Access	GV-Eye for iOS and Android	
Live Viewing	Browser (IE, Chrome, Firefox, Safari), Mobile app	




Note:

1. It is required to apply patch files to some or all of the supported software.
2. The signal range and data throughput may vary depending on the network conditions and environmental factors.
3. Mind the following limitations and requirements for the mini USB port:
 - The USB hard drive must be of 2.5" or 3.5", version 2.0 or above
 - The USB hard drive's storage capacity must not exceed 2 TB
 - USB flash drives and USB hubs are not supported
 - External power supply is required for the USB hard drive
 - To connect a GV-WiFi Adapter, make sure it is connected before the camera is powered on.
4. Mind the following when using a memory card for recording:
 - Recorded data on the memory card can be damaged or lost if the data are accessed while the camera is under physical shock, power interruption, memory card detachment or when the memory card reaches the end of its lifespan. No guarantee is provided for such causes.
 - The stored data can be lost if the memory card is not accessed for a long period of time. Back up your data periodically if you seldom access the memory card.
 - Memory cards are expendable and their durability varies according to the conditions of the installed site and how they are used. Back up your data regularly and replace the memory card annually.
 - To avoid power outage, it is highly recommended to apply a battery backup (UPS).
 - For better performance, it is highly recommended to use Micro SD card of MLC NAND flash, Class 10.
 - Replace the memory card when its read/write speed is lower than 6 MB/s or when the memory card is frequently undetected by the camera.
5. Specifications are subject to change without notice.

Packing List

- | | |
|-------------------------------------|---------------------|
| 1. H.265 Box Camera | 5. Camera Holder |
| 2. Terminal Block (2-Pin and 3-Pin) | 6. Holder Screw x 2 |
| 3. Six Lens Rings | 7. Download Guide |
| 4. Video Out Wire | 8. Warranty Card |

Accessories

Model No.	Name	Details
GV-Housing102 IP67 IK10	Housing Box (with heater and fan) 	Dimensions: 406 x 145 x 109 mm (16 x 5.7 x 4.3") Weight: 4.69 kg (10.34 lb) (including Supporting Tube) Start-up Temperature: -30 °C ~ 50 °C (-22 °F ~ 122 °F) Operation Temperature: -40 °C ~ 50 °C (-40 °F ~ 122 °F) Heater: 15 °C (59 °F) On / 25 °C (77 °F) Off Fan: 35 °C (95 °F) On / 25 °C (77 °F) Off Power board: 24 V AC or 12 V DC input
GV-Housing103 IP67 IK10	Housing Box (with IR) 	Dimensions: 404 x 128 x 257 mm (15.91 x 5.04 x 10.12") Weight: 7 kg (15.43 lb) (including Supporting Tube) Start-up Temperature: -20 °C ~ 50 °C (-4 °F ~ 122 °F) Operation Temperature: -30 °C ~ 50 °C (-22 °F ~ 122 °F) IR: 6 IR LEDs with up to 60 m (196.85 ft) IR effective distance Power: 12 V DC, 1 A input
GV-Mount300-1	Convex Corner Adapter Kit 	Dimensions: 238.6 x 395.2 x 210 mm (9.4" x 15.5" x 8.2") Weight: 4.27 kg (9.41 lb)

Model No.	Name	Details
GV-Mount310-1	Concave Corner Adapter Kit 	Dimensions: 111.2 x 369.9 x 210 mm (4.37" x 14.5" x 8.2") Weight: 2.96 kg (6.53 lb)
GV-Mount400-1	Pole Mount Bracket Kit (Ø 4" ~ 6") 	Bracket: 68.4 x 240 x 163 mm (2.69" x 9.44" x 6.41") Weight: 1.70 kg (3.75 lb) Steel Strap Diameter: Ø 4" ~ 6"
GV-Mount410-1	Pole Mount Bracket Kit (Ø 6" ~ 7.5") 	Bracket: 68.4 x 240 x 163 mm (2.69" x 9.44" x 6.41") Weight: 1.70 kg (3.75 lb) Steel Strap Diameter: Ø 6" ~ 7.5"
Supporting Rack		Dimensions: Ø 58 x 120 mm (2.28" x 4.72") Weight: 0.1 kg (103 g)
GV-PA191 PoE Adapter		Weight: 130 g (0.29 lb) Dimensions: 43 x 69 x 40 mm (1.69" x 2.72" x 1.57")
GV-POE Switch		GV-POE Switch is designed to provide power along with network connection for IP devices. The GV-POE Switch is available in various models with different numbers and types of ports.
GV-Relay V2		GV-Relay V2 is designed to expand the voltage load of GV-IP devices. It provides 4 relay outputs, and each can be set as normally open (NO) or normally closed (NC) independently as per your requirement.
GV-WiFi Adaptor V2		Weight: 0.01 kg (0.02 lb) Dimensions: 15 x 15 x 155 mm (0.59 x 0.59 x 6.10") Supplied with Mini USB to standard USB adapter
Power Adapter		Contact our sales representatives for the countries and areas supported.

Note: GV-Housing103 only works with GV-Mount300-1, GV-Mount310-1, GV-Mount400-1, GV-Mount410-1.